

1

2

3

4

5

6

A

A

B

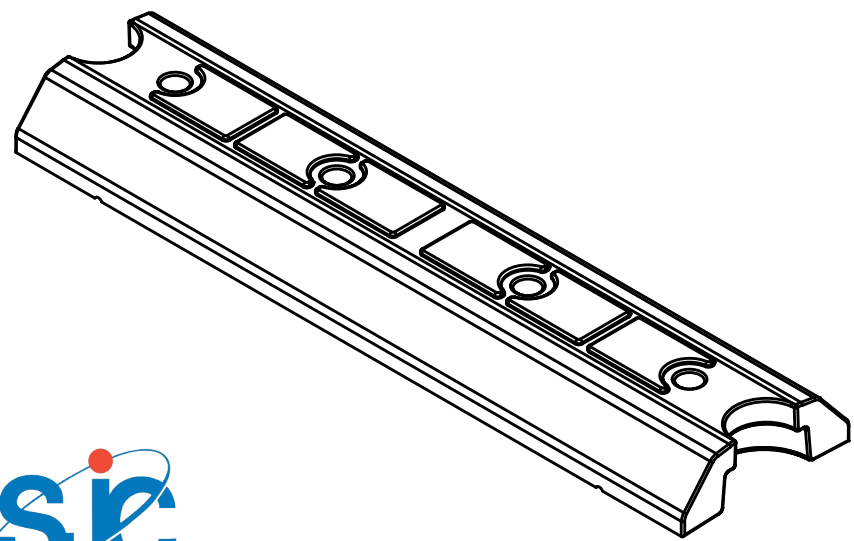
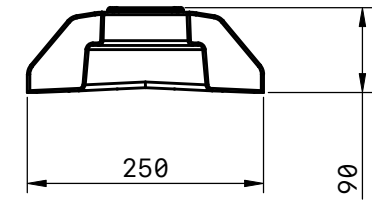
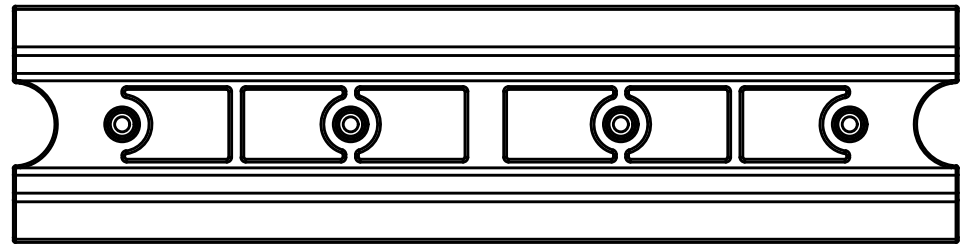
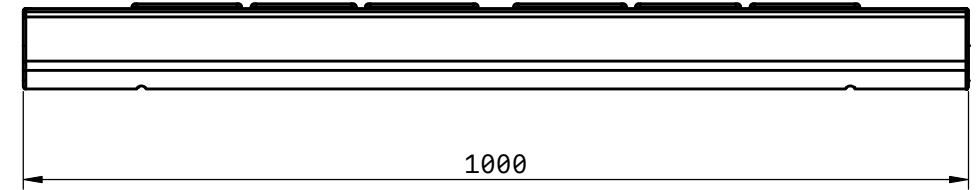
B

C

C

D

D



TITLE		
641-114 Mile Stone Mid...		
UNITS	PROJ. ANG.	SIZE
mm		A4
SCALE	LAST UPDATED	SHEET
1:8	08/09/24	1/1

1

2

3

4

5

6